

TRACKGRIP
TRACTION • STABILITY • SAFETY



ICEGRIP

IceGrip provides dependable traction for heavy machinery, ensuring safe and stable operation on icy, snow-covered, and rocky surfaces.

TRACKGRIP
TRACTION • STABILITY • SAFETY

**TOUGHER
THAN THE
TOUGHEST
TERRAIN**



www.trackgrip.com





ICEGRIP

DESIGNED FOR STEEL TRACKS

Cold and frozen conditions, manufactured from high tensile steel for extreme durability



PATENTS: CA3009647A1 | EP3393894B1 | NZ744143A1 | US11390341B2

SOME EXAMPLE MACHINES

- Caterpillar 313 Hydraulic Excavator
- Caterpillar 320 Hydraulic Excavator
- Caterpillar 336 Hydraulic Excavator
- JCB JS205 SC/LC/NLC
- Volvo EC220EL
- Hitachi ZX130-7
- SANY SY135C
- Komatsu PC290LC-11
- Case CX210D**

** These machines can also have MightyGrip - depending on use.

CONDITIONS



ICE



PERMAFROST



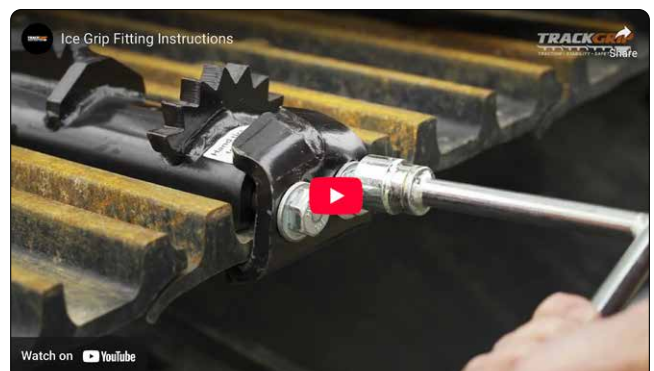
SNOW



ROCK/SHALE

FITTING INSTRUCTIONS

[CLICK HERE](#) TO DOWNLOAD THE FITTING INSTRUCTIONS PDF



www.trackgrip.com

THINGS YOU MUST KNOW:

- Make/ Model Of Machine
- Width Of Shoe
- The Weight Of The Machine
- Applications



For Steel Tracks

Customer Name:

Phone or Email:

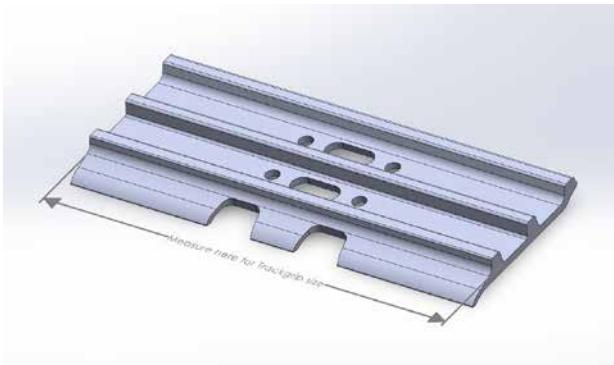
Make

Model

Year

Weight of Machine

PLEASE PROVIDE AN OVERHEAD PHOTO OF YOUR TRACK



Measurement of the width across the track
(as pictured above)

WWW.TRACKGRIP.COM



ICEGRIP

Installation Instructions

- 1 Remove the two bolts and removable end keeper plate and install the TrackGrip onto the track pad.
- 2 Make sure the fixed end keeper is seated against the edge of the track.
- 3 The removable end keeper side will be close to the other end of the track.
- 4 Install the keeper plate using the supplied bolts. The top two pins are used for alignment only. Use a spanner or wrench.
- 5 The removable head plate and TrackGrip do not need to be flush as long as the bolts are tight.
Install additional TrackGrips every 5th track pad.

IMPORTANT INFORMATION

- Do NOT over tighten. Do NOT use impact tools to tighten bolts. No more than 94 pounds of torque on bolts.
- After confirming correct fitment, perform another fit check after 10 minutes of use.
- Check periodically to ensure bolts are still tight.
- Ensure correct protective equipment including gloves and safety glasses are used during installation.

TrackGrip is designed to improve stability, traction and increase safety within the limitations of your machine. We urge caution and take no responsibility for any consequences arising from the fitted machine being operated outside of the manufacturer's safety guidelines or specifications.

Patents: CA3009647A1 / EP3393894B1 / NZ744143A1 / US11390341B2

www.trackgrip.com

